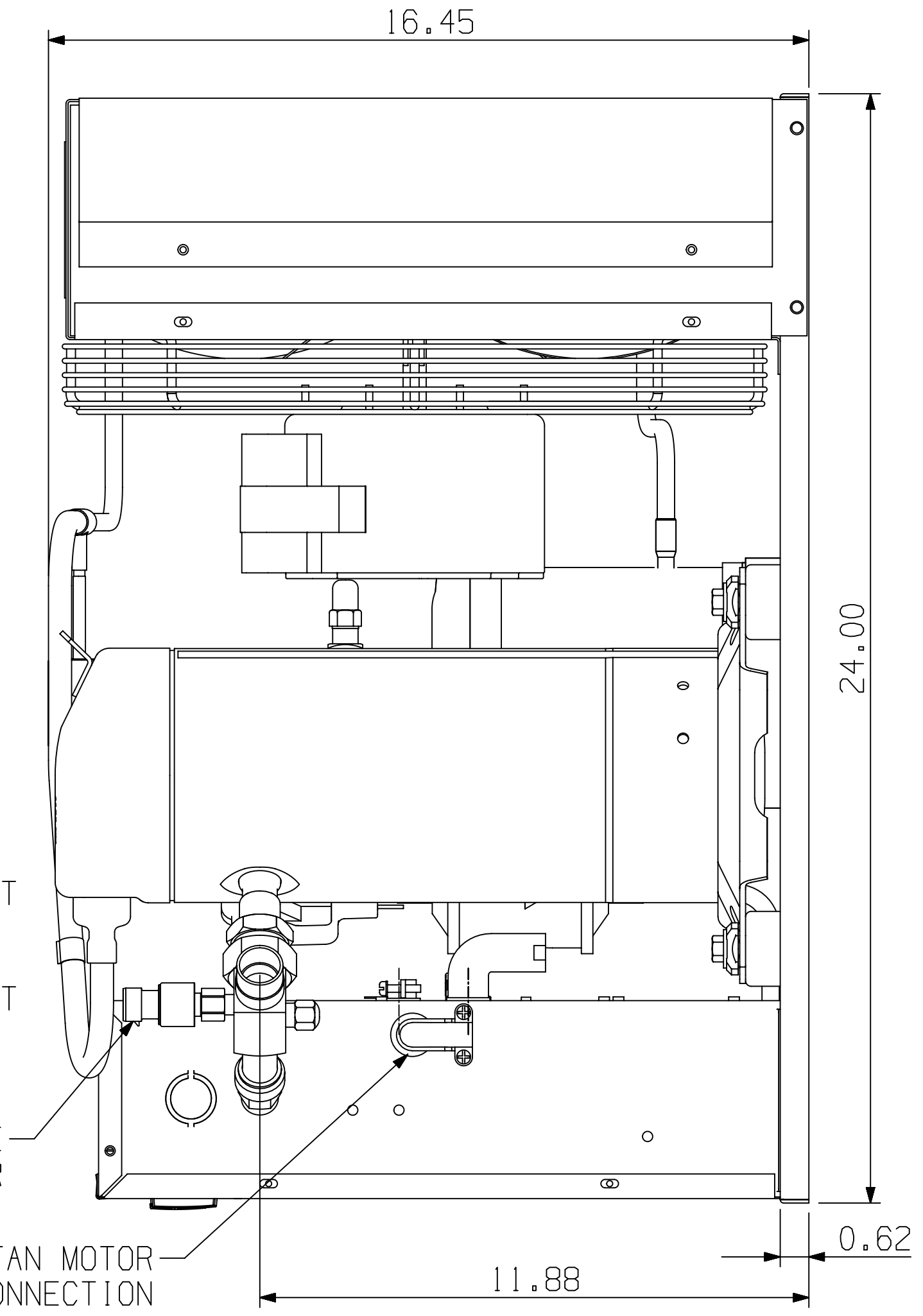
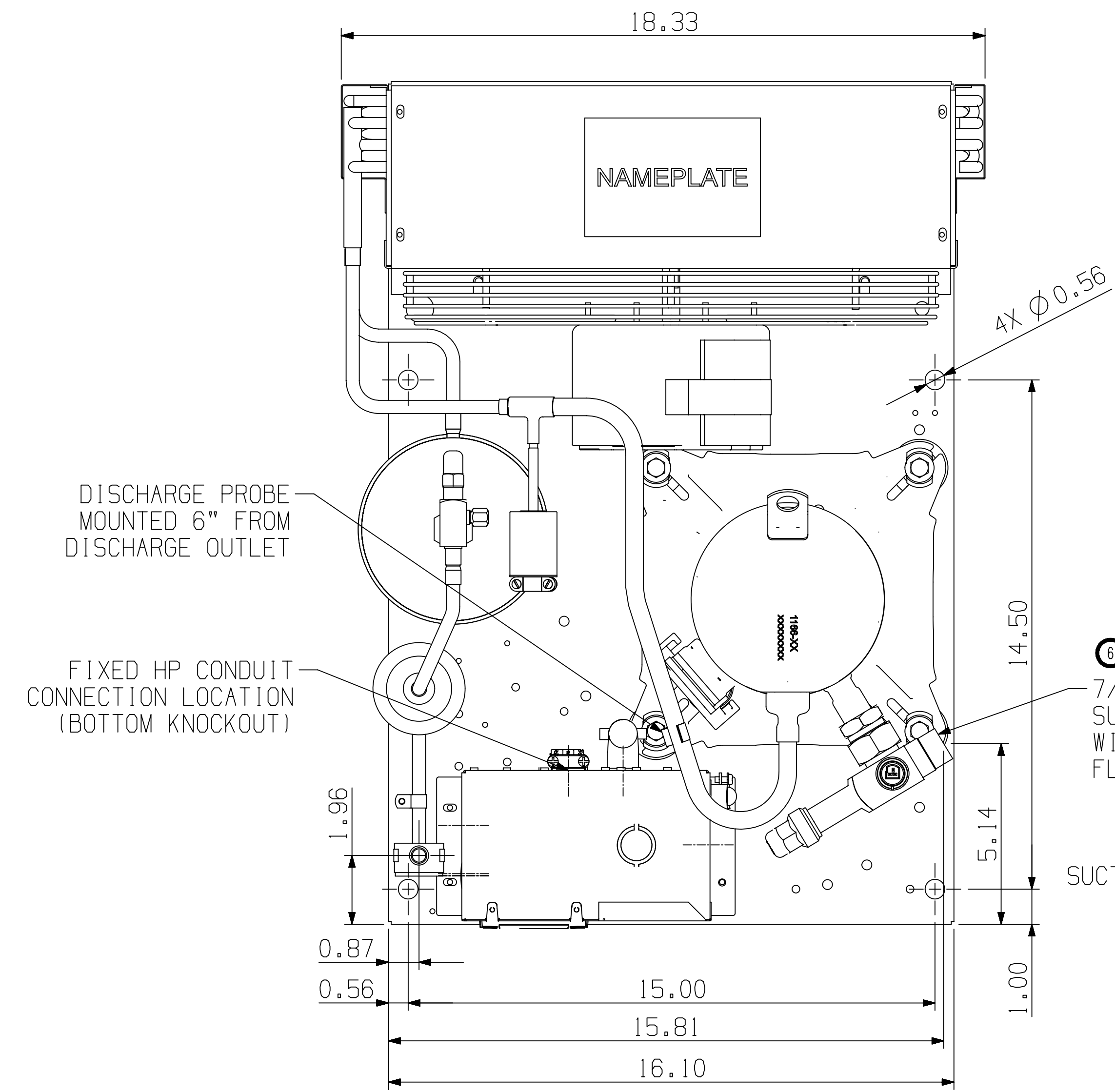
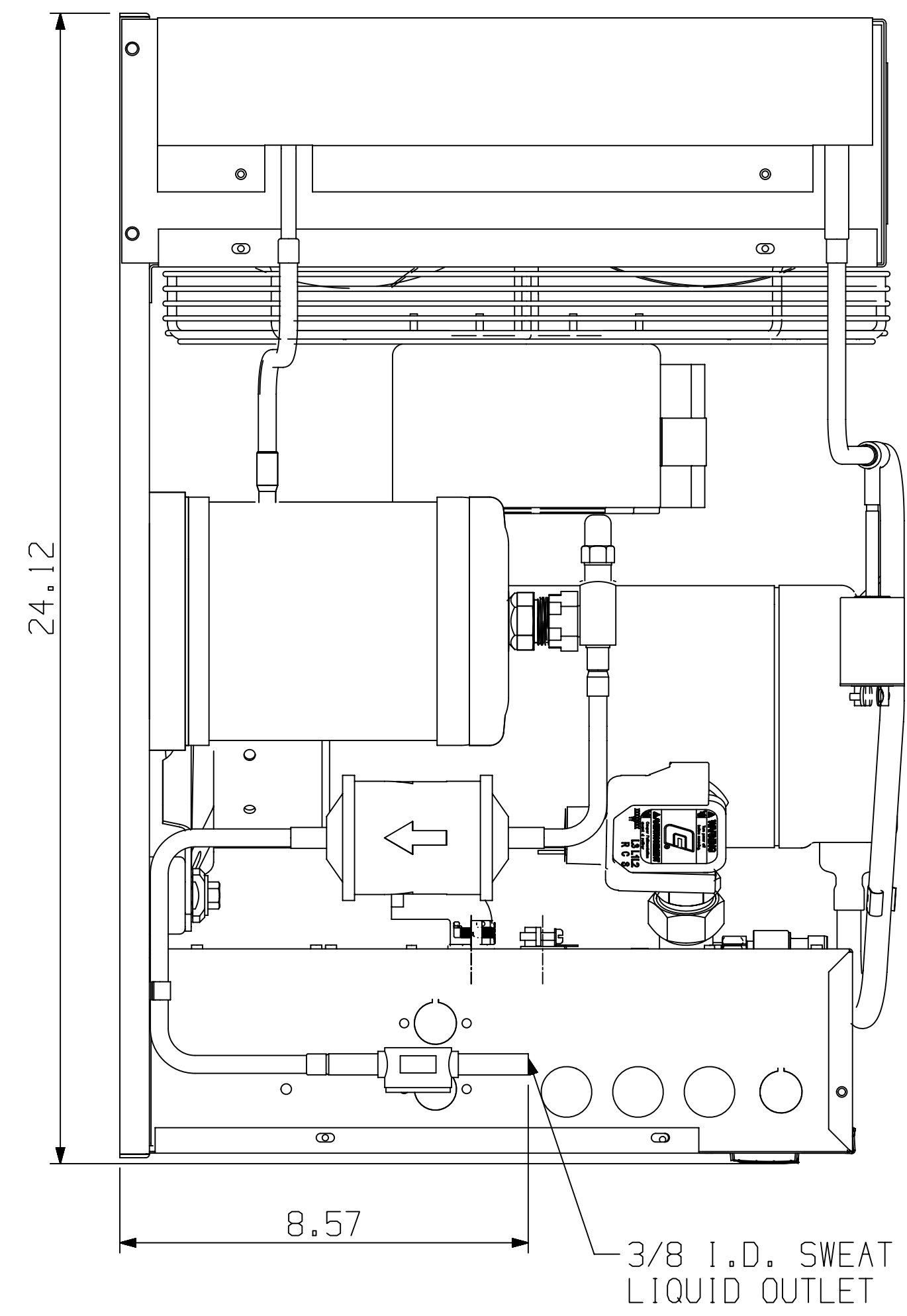


UNIT MODEL NO.	COMPRESSOR MODEL NO.
FFAM-008Z-TFC-072	ZB06KAE-TF5
FFAM-010Z-CFV-072	ZB07KAE-PFV
FFAM-010Z-TFC-072	ZB07KAE-TF5
FFAM-012Z-CFV-072	ZB08KAE-PFV
FFAM-012Z-TFC-072	ZB08KAE-TF5
FFAM-008Z-CFV-072	ZB06KAE-PFV
FFAM-008Z-CFV-079	ZB06KAE-PFV
FFAM-010Z-CFA-072	ZB07KAE-PFA
FFAM-008Z-TFC-079	ZB06KAE-TF5

- ④
- ⑤
- ⑥

- NOTES:
- ALL OPENINGS MUST BE CAPPED OR PLUGGED.
  - UNIT PUMPDOWN CAPACITY AT 90%
 

R-12	9.4 LBS
R-22	8.5 LBS
R-134a	8.6 LBS
R-404A	7.3 LBS
R-407A	8.1 LBS
R-407C	8.0 LBS
R-502	8.6 LBS
R-507	7.4 LBS
R-448A	7.8 LBS
R-449A	7.8 LBS
R-450A	8.3 LBS
R-513A	8.1 LBS



ECN	REV.	DESCRIPTION	DATE	BY	CHKD
ECN315575	6	ADDED UNIT FFAM-008Z-TFC-079	10-06-20	SCM	SSD
ECN313419	5	RELEASED UNIT	02-17-20	MNH	SSD
ECN309451	4	REDRAWN WITH CHANGES	11-29-18	PMD	SSD
ECN300719	0	RELEASED	12-13-16	PLT	TR



INTERPRET PER ASME Y14.5M-1994 AND EMERSON DESIGN STANDARDS DS2002

DO NOT SCALE DRAWING

CRITICAL PRODUCT CHARACTERISTICS

UNLESS OTHERWISE SPECIFIED DIMENSIONS ARE INCH OR (MILLIMETER)

TOLERANCES:  
 2-PLACE +  
 3-PLACE +  
 ANGULAR ±

ENG NOTICE NO.	REV. NO.	REVISIONS	DATE	BY	CHKD
6		CONFIDENTIALITY NOTICE			
THIS DRAWING AND INFORMATION CONTAINED HEREIN ARE THE EXCLUSIVE PROPERTY OF EMERSON CLIMATE TECHNOLOGIES, INC AND/OR ITS AFFILIATES (COLLECTIVELY "EMERSON") AND SHALL BE RETURNED UPON DEMAND AND SHALL NOT BE REPRODUCED IN WHOLE OR IN PART, DISCLOSED TO ANYONE ELSE OR USED, WITHOUT THE WRITTEN CONSENT OF EMERSON.					
MATERIAL SPECIFICATION		DRAWN BY	SUPERSEDES DWG NO / REV NO		
		PMD	496-5716-20 / 3		
		DATE	SCALE	DATE FORMAT:	
		11-29-18	3:8	MM-DD-YY	
TITLE			DRAWING NUMBER	SHEET 1 OF 1 DWG	
REF DWG-WELD UNIT ASSM			496-5716-20	4	
			SIZE		